

# 2007-CBR600RR PARTS LIST

## CONTENTS

INSTRUCTIONS FOR USE OF PARTS LIST ..... 3- 2

### ENGINE GROUP

E- 1	Engine power up kit .....	3- 3
E- 2	A.C. generator set .....	3- 4
E- 3	Oil pan .....	3- 5
E- 4	Transmission set .....	3- 6
E- 5	Water hose plug set .....	3- 7

### FRAME GROUP

F- 1	Thottle / brake .....	3- 8
F- 2	Steering damper.....	3- 9
F- 3	Front fork .....	3-10
F- 4	Air fannel set / Breather case set .....	3-12
F- 5	Air injection plug set .....	3-13
F- 6	Exhaust set .....	3-14
F- 7	Chain .....	3-15
F- 8	Rear cushion .....	3-16
F- 9	Wire harness .....	3-17
F-10	Radiator set .....	3-18

INDEX ..... 3-19

# INSTRUCTIONS FOR USE OF PARTS LIST

This parts list is to be used when ordering replacement parts; it contains all parts for model 2007-CBR600RR.

## I. How to order parts

### ●Information required

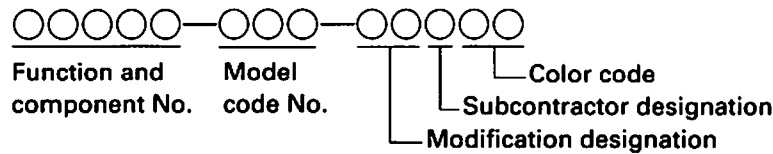
Replacement parts orders must contain both the part number and the stamped number(s) as described below. This is because any changes and modifications of parts are registered at Honda with the pertinent parts and stamped numbers.

- If quantities are shown in ( ), the parts are optional.
- If "N" is indicated in the quantity column, the parts quantity is to be determined as required.

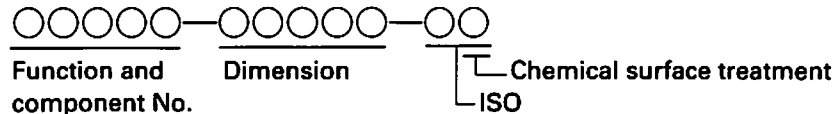
## II. How to read this parts list

### ●Make-up of the part number

(Example) General parts



(Example) Bolts, nuts and other standard parts



### ●Abbreviations

The following abbreviations are used in this parts list.

- |                               |                              |
|-------------------------------|------------------------------|
| A.C. .... Alternating current | M. .... Middle               |
| ASSY. .... Assembly           | mm .... Millimeter           |
| C. .... Center                | R. .... Right                |
| COMP. .... Complete           | STD. .... Standard           |
| G .... Gram                   | T(22T) .... Tooth (22 Teeth) |
| L. .... Left                  | T.W. .... Thermo Water       |
| L(100L) .... Link (100Links)  |                              |

## IMPORTANT INFORMATION

- The parts which have a dot “•” on the left side of the “Ref. No.” are exclusive for HRC products. To purchase these parts, consult your Honda dealer.
- The parts which have no dot are Honda products and can be purchased from your nearest Honda motorcycle dealer, or from HRC-JAPAN/EUROPE if you can,t obtain the parts locally.

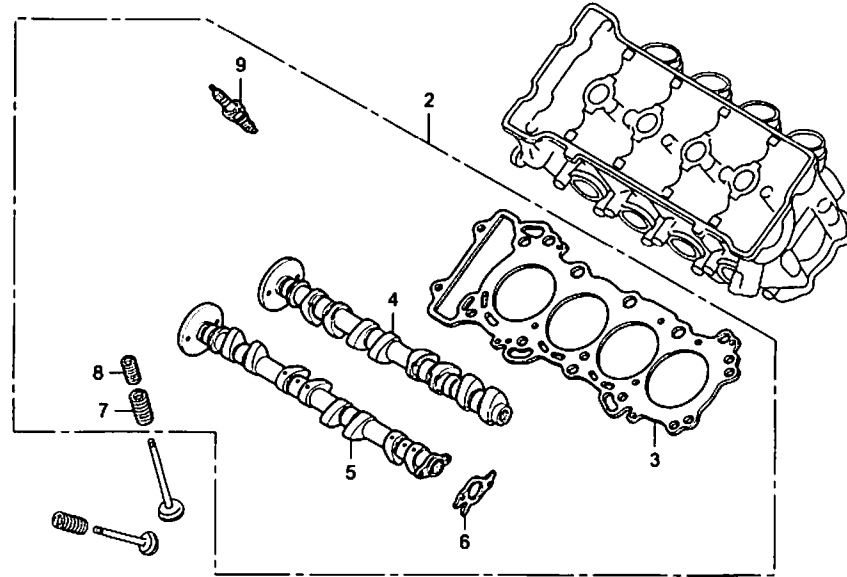
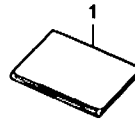
MEMO

Block No.

**E-1**

**Engine power up kit**

2007 CBR600RR



**Note**

The parts which have no "Ref No" in the illustration are Honda products.



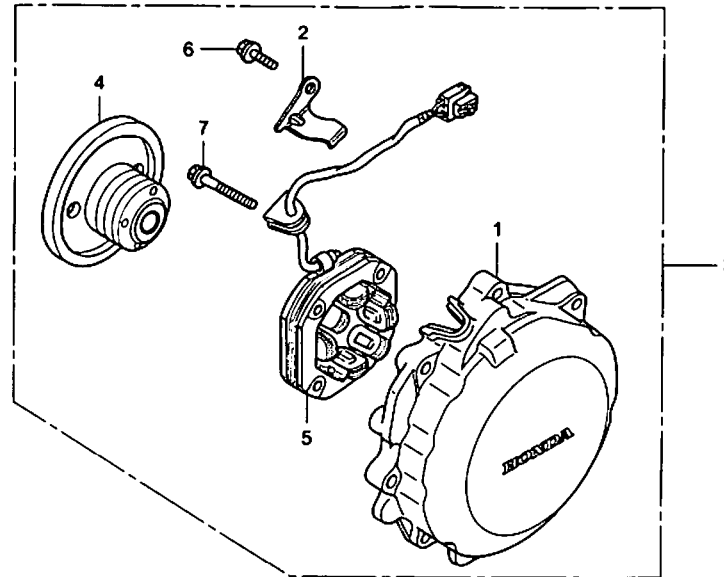
Ref. No.	Part No.	Description	Reqd. No.	Remarks
• 1	00X30-N1A-J00	SET UP MANUAL PARTS LIST .....	1	
• 2	06130-N1A-D00	ENGINE POWER UP KIT .....	1	
• 3	12251-MFJ-D01	GASKET CYLINDER HEAD 0.6 .....	(1)	STD, t0.6
• 3	12251-NL3-751	GASKET CYLINDER HEAD 0.65 .....	1	t0.65
• 4	14110-NL3-750	CAM SHAFT COMP., IN 23/52 .....	1	23/52 7500
• 5	14210-N1A-D00	CAM SHAFT COMP., EX 10/45 .....	1	10/45 D000
• 6	14405-NL3-750	ROTER, CAM PULSE .....	1	
• 7	14751-NL3-750	SPG, IN VALVE OUTER .....	8	
• 8	14752-NL3-750	SPG, IN VALVE INNER .....	8	
• 9	31910-NL3-871	SPARK PLUG (NGK R0409B-10) .....	4	

Block No.

**E-2**

**A.C. generator set**

2007 CBR600RR



← MFR.

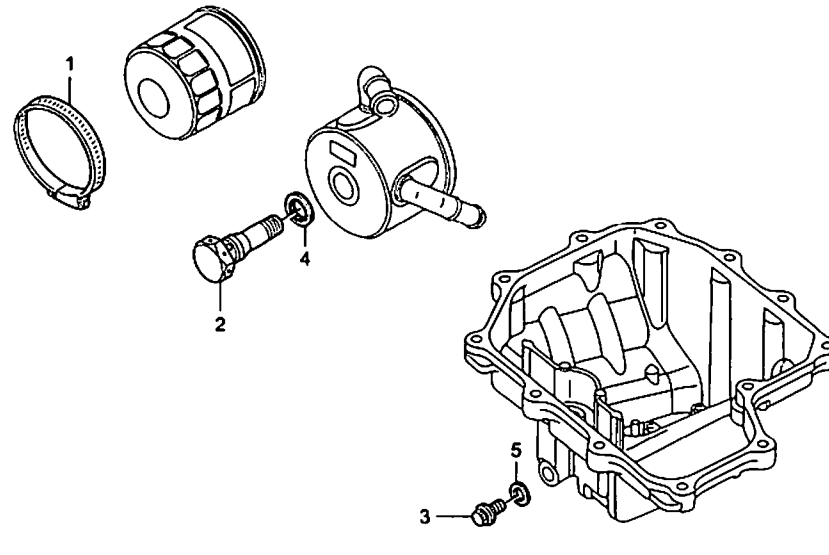
Ref. No.	Part No.	Description	Reqd. No.	Remarks
• 1	11321-N1A-D00	COVER, ACG .....	1	
2	11333-MFJ-D00	CLAMP, ACG COOD .....	1	
• 3	31100-N1A-D00	A.C. GEN ASSY. ....	1	
• 4	31110-N1A-D00	ROTOR COMP .....	1	N1AA
• 5	31120-NL3-750	STATOR COMP .....	1	
6	96001-06016-00	BOLT, FLANGE, SH, 6 X 16 .....	1	
7	96001-06028-00	BOLT, FLANGE, SH, 6 X 28 .....	4	

Block No.

**E-3**

**Oil pan**

2007 CBR600RR



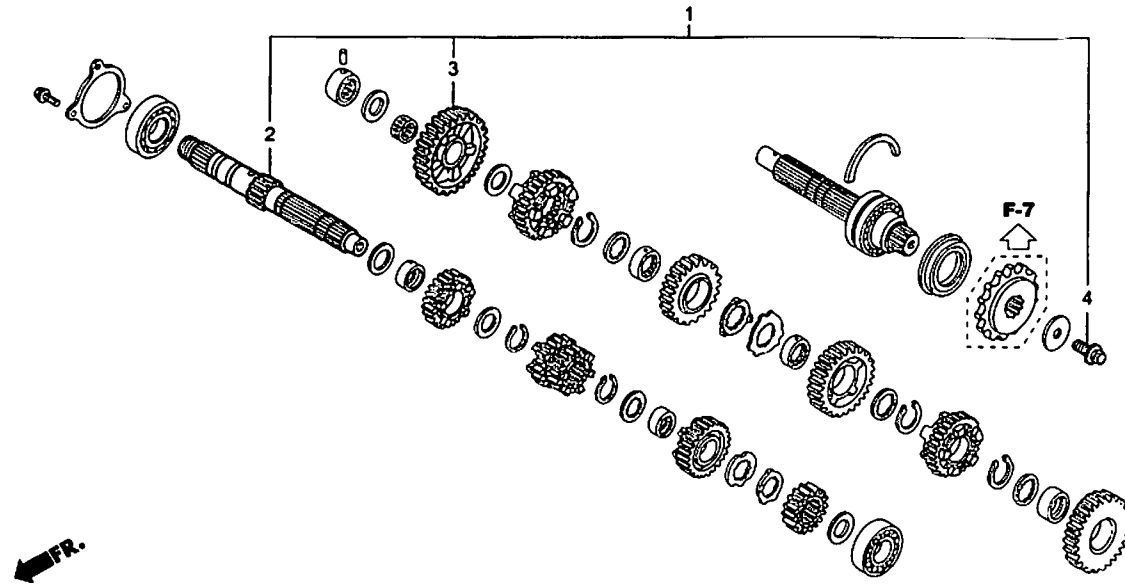
Ref. No.	Part No.	Description	Reqd. No.	Remarks
1	50252-GC4-830	BAND, SUB TANK .....	1	
• 2	90019-N1A-D00	BOLT, OIL COOLER.....	1	
• 3	90081-NX4-000	BOLT, DRAIN 12mm.....	1	hole for wire lock
4	90402-MFJ-D01	WASHER, SEALING, 34.5mm.....	1	STD
5	94109-12000	WASHER, DRAIN PLUG, 12mm.....	1	STD

Block No.

**E-4**

**Transmission set**

2007 CBR600RR



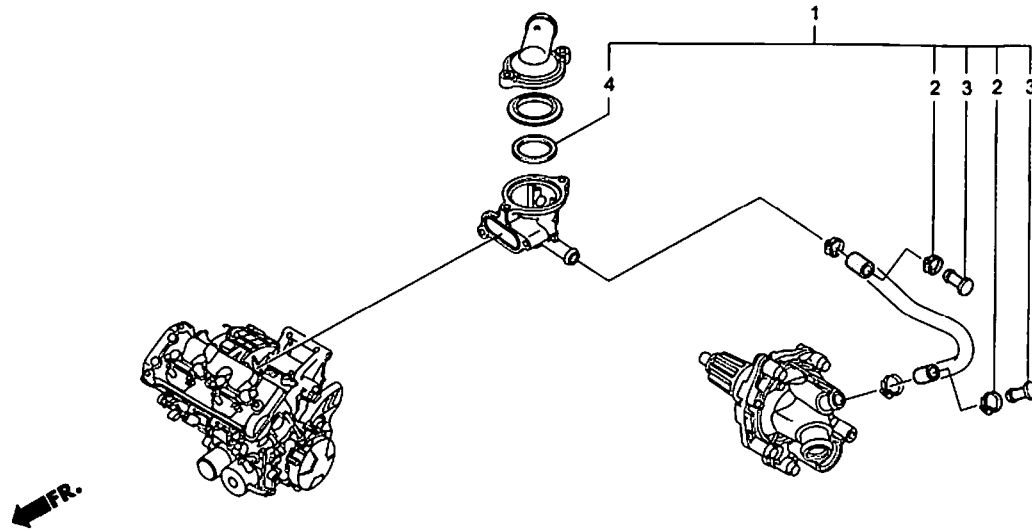
Ref. No.	Part No.	Description	Reqd. No.	Remarks
• 1	06230-N1A-D00	TRNSMISSION SET .....	1	
• 2	23211-N1A-D00	SHAFT, MAIN .....	1	15T
• 3	23421-N1A-D00	GEAR, C-1 .....	1	39T
• 4	90004-492-010	BOLT, SPECIAL, 10 X 22 .....	1	hole for wire lock

Block No.

**E-5**

**Water hose plug set**

2007 CBR600RR



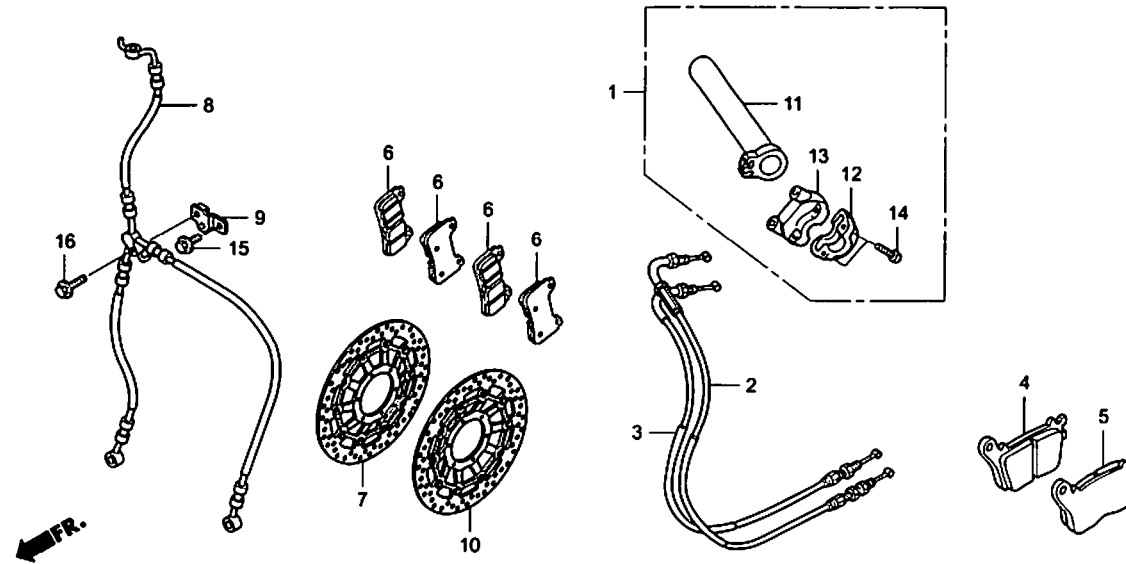
Ref. No.	Part No.	Description	Reqd. No.	Remarks
• 1	04193-N1A-D00	WATER HOSE PLUG SET .....	1	
2	19505-KS6-700	CLAMP A, WATER HOSE .....	2	
• 3	19512-NL3-620	PLUG, HOSE B .....	2	
4	90454-ZV1-000	WASHER, THRUST .....	1	

Block No.

**F-1**

**Throttle / Brake**

2007 CBR600RR



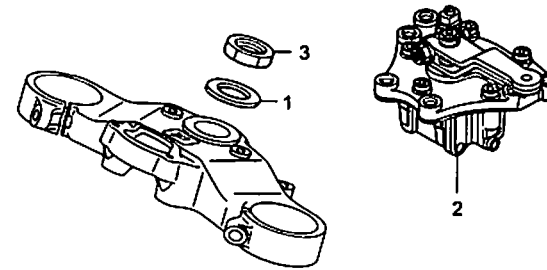
Ref. No.	Part No.	Description	Reqd. No.	Remarks
• 1	06531-NL3-750	HOUSING SET, THROTTLE .....	1	
• 2	17910-N1A-D00	THROTTLE CABLE, A.....	1	N1A-D00
• 3	17920-N1A-D00	THROTTLE CABLE, B.....	1	N1A-D00
• 4	43105-NL9-C30	PAD COMP., A RR. (TT2450).....	1	Anti-fade/decay durability significant concerned
•	43105-NL9-C41	PAD COMP., A RR. (NKX19).....	1	Control/decay durability significant concerned
• 5	43106-NL9-C30	PAD COMP., B RR. (TT2450).....	1	Anti-fade/decay durability significant concerned
•	43106-NL9-C41	PAD COMP., B RR. (NKX19).....	1	Control/decay durability significant concerned
• 6	45105-NL3 -921	PAD COMP., FR. (H21A) .....	4	Force and effect significant concerned (thicker than standard, back plate metal polished)
•	45105-NL9 -801	PAD COMP., FR. (N615).....	4	Decay durability significant concerned
•	45106-NL3 -921	PAD COMP., FR. (N608).....	4	Control significant concerned
• 7	45120-NL3-901	DISK COMP., R. FR. BRK (t5mm).....	1	
• 8	45125-N1A-D00	HOSE, COMP., FR. BRAKE .....	1	
• 9	45159-N1A-D00	STAY COMP., FR. BRAKE.....	1	
• 10	45220-NL3-901	DISK COMP., L. FR. BRK (t5mm) .....	1	
11	53141-MT7-000	PIPE, THROTTLE GRIP.....	1	
12	53167-KV3-700	HOUSING UP. THROTTLE .....	1	
13	53168-KV3-701	HOUSING UND. THROTTLE .....	1	
14	93500-05020-0G	SCREW, PAN, 5 X 20 .....	2	
15	96001-06012-07	BOLT, FLANGE, SH 6 X 12 .....	1	
16	96001-06018-07	BOLT, FLANGE, SH 6 X 18 .....	1	

Block No.

**F-2**

**Steering damper**

2007 CBR600RR



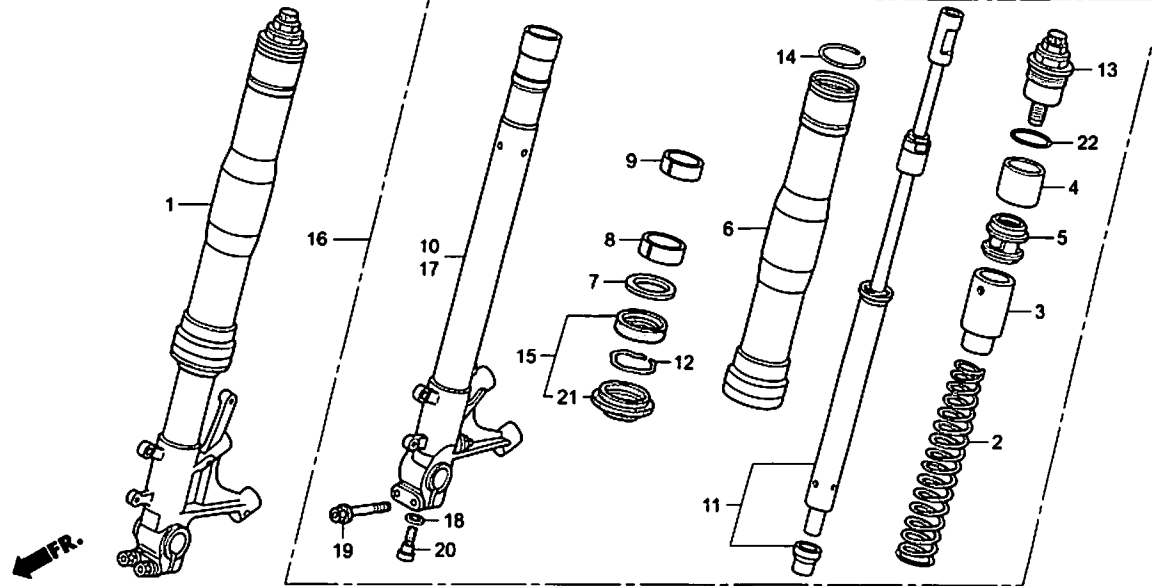
Ref. No.	Part No.	Description	Reqd. No.	Remarks
1	53215-GF8-000	WASHER, DUST SEAL.....	1	
• 2	53700-MFJ-R00	DAMPER ASSY., STRG .....	1	
• 3	90304-MFJ-R00	NUT, STEERING STEM .....	1	

Block No.

**F-3**

**Front fork**

2007 CBR600RR



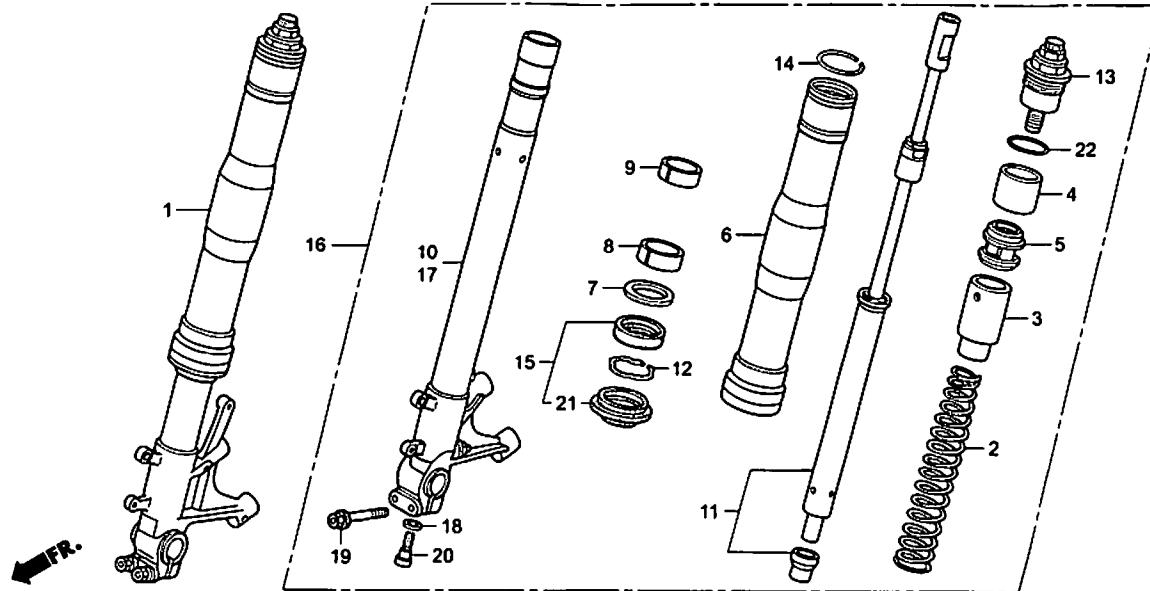
Ref. No.	Part No.	Description	Reqd. No.	Remarks
• 1	51400-MFJ-R01	FORK ASSY., R. FRONT .....	1	
• 2	51401-MEE-R21	SPRING, FR. CUSHION (0.95) .....	2	No mark
•	51401-NL3-921	SPRING, FR. CUSHION (0.90) .....	(2)	0.90
•	51402-NL3-921	SPRING, FR. CUSHION (1.00) .....	(2)	1.00
•	51403-NL3-921	SPRING, FR. CUSHION (1.05) .....	(2)	1.05
3	51403-MEE-D01	COLLAR, SPRING .....	2	
• 4	51404-MFJ-R01	COLLAR B, SPRING .....	2	
• 5	51406-MFJ-R01	STOPPER, SPRING SEAT .....	2	
6	51410-MFJ-D01	TUBE, OUTER .....	2	
7	51412-MB4-003	RING, BACK UP .....	2	
8	51414-KCR-003	BUSH, GUIDE .....	2	
9	51415-KCR-003	BUSH, SLIDER .....	2	
• 10	51420-MFJ-R01	PIPE COMP., R. SLIDE .....	1	
• 11	51430-MFJ-R01	DAMPER COMP., FR. ....	2	
12	51447-KA4-711	RING, OIL SEAL STOPPER .....	2	
• 13	51450-MFJ-R01	BOLT COMP., FR. FORK .....	2	
14	51455-MW4-003	RING, STOPPER .....	2	
15	51490-MEE-D01	SEAL SET, FR. FORK .....	2	
• 16	51500-MFJ-R01	FORK ASSY., L. FRONT .....	1	
• 17	51520-MFJ-R01	PIPE COMP., L. SLIDE .....	1	

Block No.

**F-3**

**Front fork**

2007 CBR600RR



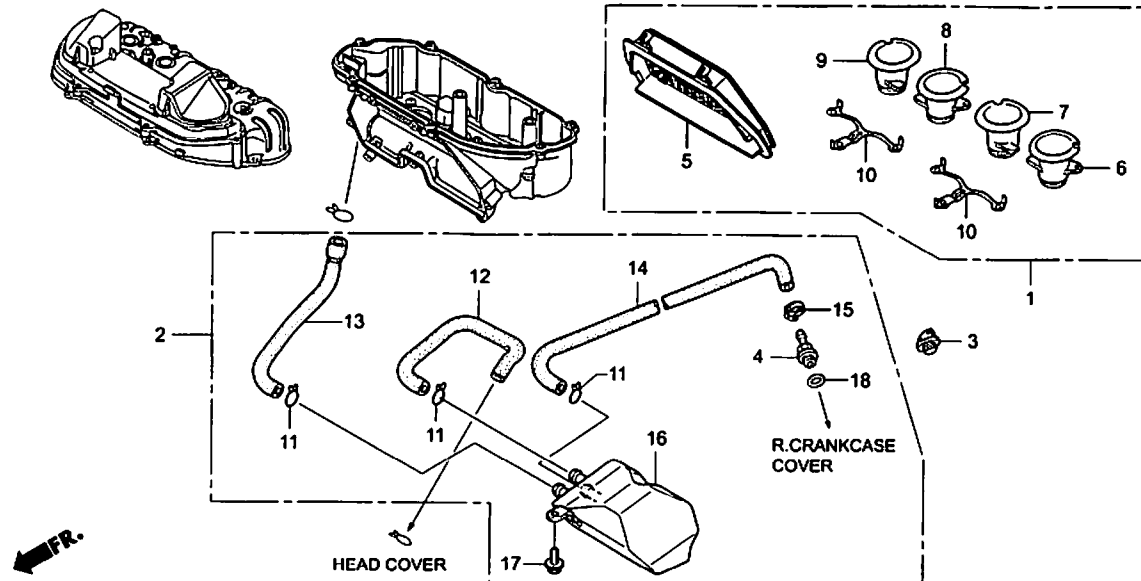
Ref. No.	Part No.	Description	Reqd. No.	Remarks
18	52442-KA3-711	WASHER, SPECIAL 10mm .....	2	
19	90109-MR7-000	BOLT, FLANGE DR 8 X 45 .....	4	
20	90126-MR7-003	BOLT, SOCKET 10 X 35 .....	2	
21	91254-MEE-D01	DUST SEAL .....	2	
22	91258-GF4-003	O-RING 42.2 X 2.4 .....	2	

Block No.

**F-4**

**Air fannel set /  
Breather case set**

2007 CBR600RR



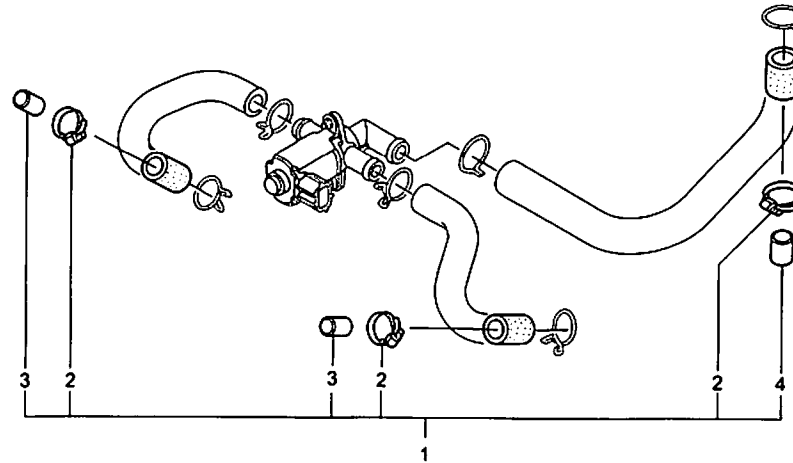
Ref. No.	Part No.	Description	Reqd. No.	Remarks
• 1	06170-N1A-D00	AIR FUNNEL SET .....	1	
• 2	06552-N1A-D00	BREATHER CASE SET .....	1	
• 3	15611-NF4-900	CAP, OIL FILLER.....	1	hole for wire lock (=15611-MEE-R00)
• 4	15514-N1A-D00	JOINT, OIL RETURN .....	1	
• 5	17210-N1A-D00	ELEMENT, AIR CLEANER .....	1	
• 6	17211-N1A-D00	FUNNEL, AIR #1 L35.....	1	N1A-D0 #1 L35
• 7	17212-N1A-D00	FUNNEL, AIR #2 L40.....	1	N1A-D0 #2 L40
• 8	17213-N1A-D00	FUNNEL, AIR #3 L40.....	1	N1A-D0 #3 L40
• 9	17214-N1A-D00	FUNNEL, AIR #4 L35.....	1	N1A-D0 #4 L35
• 10	17225-N1A-D00	TONGUED WASHER .....	2	
• 11	17316-611-000	CLIP, BREATHER TUBE .....	3	
• 12	17554-N1A-D00	TUBE A, BREATHER .....	1	
• 13	17555-N1A-D00	TUBE B, BREATHER .....	1	
• 14	17556-N1A-D00	TUBE C, BREATHER .....	1	
• 15	19505-KS6-700	CLAMP A, WATER HOSE .....	1	
• 16	55200-N1A-D00	CASE COMP., BREATHER .....	1	
• 17	90123-MEN-670	BOLT, SH DR 8 X16 .....	1	
• 18	91307-KF0-003	O-RING, 18 X 3.....	1	

Block No.

**F-5**

**Air injection plug set**

2007 CBR600RR



FR. ←

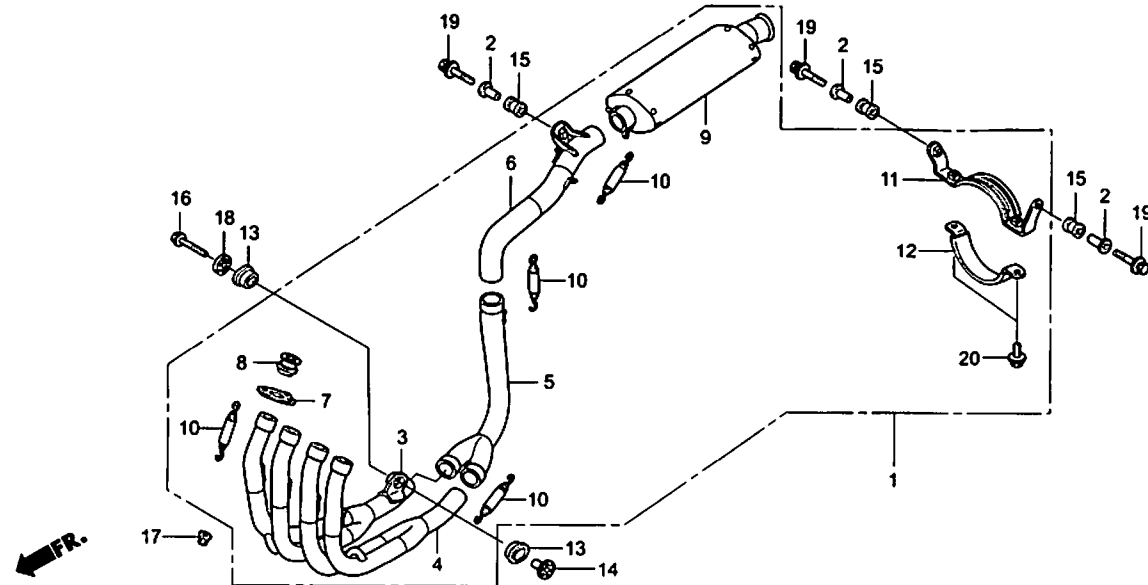
Ref. No.	Part No.	Description	Reqd. No.	Remarks
• 1	06195-N1A-D00	PLUG SET, EXHAUST A1.....	1	
• 2	19505-KS6-700	CLAMP A, WATER HOSE .....	3	
• 3	96205-14012	PLUG, CONE TYPE, 14 X 12.....	2	ø14
• 4	96205-15012	PLUG, CONE TYPE, 15 X 12.....	1	ø15

Block No.

**F-6**

**Exhaust set**

2007 CBR600RR



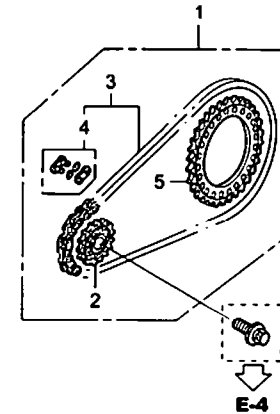
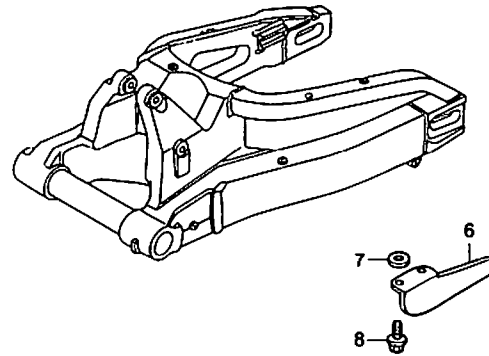
Ref. No.	Part No.	Description	Reqd. No.	Remarks
• 1	06180-N1A-D00	EXHAUST SET (FIM) .....	1	
• 2	17246-439-000	COLLAR, AIR CLEANER .....	3	STD
• 3	18151-N1A-D00	PIPE COMP., R. EXHAUST .....	1	
• 4	18152-N1A-D00	PIPE COMP., L. EXHAUST.....	1	
• 5	18157-N1A-D00	JOINT RR. EXH. PIPE.....	1	
• 6	18158-N1A-D00	TAIL PIPE, EXH.....	1	
• 7	18231-N1A-D00	FLANGE, EXH.....	4	
• 8	18232-NL3-900	COLLAR, EXH.....	4	
• 9	18310-N1A-D00	SILENCER COMP. (FIM) .....	1	
• 10	18334-NL3-750	SPRING, EXH. PIPE .....	9	
• 11	18371-N1A-D00	BAND A, MUFFLER.....	1	
• 12	18372-N1A-D00	BAND B, MUFFLER.....	1	
• 13	18422-MFJ-D00	RUBBER, EXH. PIPE MOUNT .....	2	STD
• 14	18423-MFJ-D00	COLLAR, EXH. PIPE MOUNT .....	1	STD
• 15	18424-MFJ-D00	RUBBER, MUFFLER RR. MOUNT .....	3	STD
• 16	90120-MFJ-D00	BOLT, FLANGE GUIDE 8 X 50 .....	1	STD
• 17	90304-MM5-000	NUT, FLANGE, 7 mm.....	8	STD
• 18	90501-MFJ-D00	WASHER, 8.5 X 38.....	1	STD
• 19	93401-06028-00	BOLT-WASHER, 6 X 28.....	3	STD
• 20	96001-06014-00	BOLT, 6 X 14.....	2	

Block No.

**F-7**

**Chain**

2007 CBR600RR



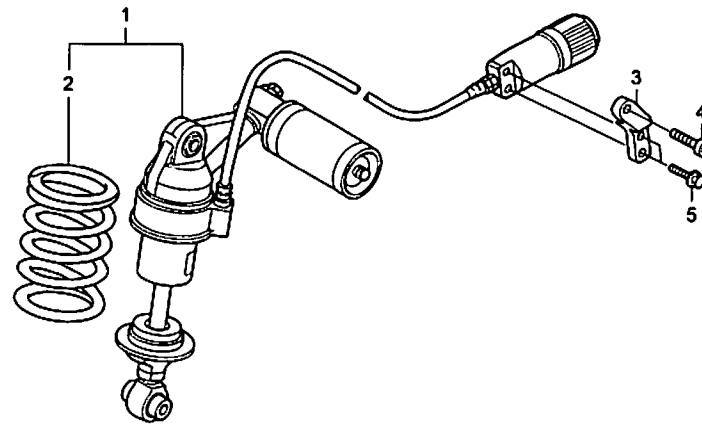
Ref. No.	Part No.	Description	Reqd. No.	Remarks
• 1	06412-NL3-650	FINAL SET SPRKT 520.....	1	
• 2	23801-NL3-620	SPROCKET, DRIVE 14T (520) .....	1	
•	23802-NL3-620	SPROCKET, DRIVE 15T (520) .....	1	
•	23803-NL3-620	SPROCKET, DRIVE 16T (520) .....	1	
• 3	40530-NL6-003	CHAIN, DRIVE GB520 HRVZ2-120LJ-F .....	1	
• 4	40535-NL6-003	JOINT, DRIVE CHAIN .....	1	
• 5	41201-NL3-651	SPROCKET, FINAL DRIVEN 41T (520) .....	1	
•	41202-NL3-651	SPROCKET, FINAL DRIVEN 42T (520) .....	1	
•	41203-NL3-651	SPROCKET, FINAL DRIVEN 43T (520) .....	1	
•	41204-NL3-651	SPROCKET, FINAL DRIVEN 44T (520) .....	1	
•	41205-NL3-651	SPROCKET, FINAL DRIVEN 45T (520) .....	1	
•	41206-NL3-651	SPROCKET, FINAL DRIVEN 46T (520) .....	1	
•	41207-NL3-651	SPROCKET, FINAL DRIVEN 47T (520) .....	1	
• 6	52157-NL3-650	PROTECTOR, SPROKT .....	1	
7	90505-116-670	WASHER 13 X 20.....	N	
8	93404-06010-08	BOLT-WASHER, 6 X 10.....	1	

Block No.

**F-8**

Rear cushion

2007 CBR600RR



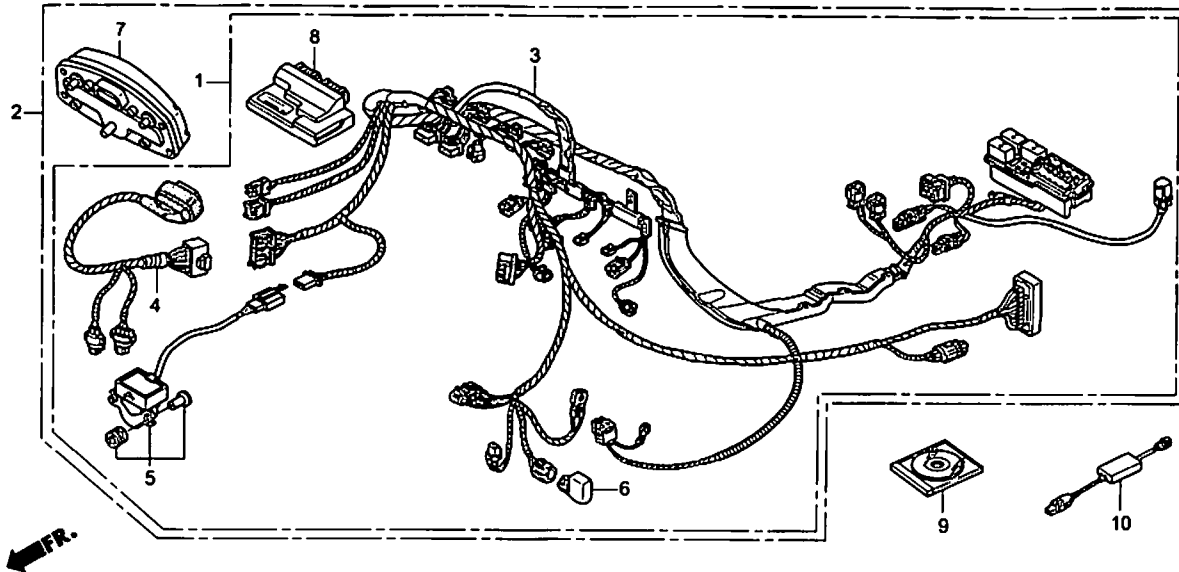
Ref. No.	Part No.	Description	Reqd. No.	Remarks
• 1	52400-MFJ-R01	RR. CUSH ASSY.....	1	
• 2	52401-MFJ-R01	SPRING, RR. CUSHION (10.5).....	1	Yellow paint
•	52401-N1A-D00	SPRING, RR. CUSHION (10.0).....	(1)	White paint
•	52402-N1A-D00	SPRING, RR. CUSHION (10.3).....	(1)	Blue paint
•	52403-N1A-D00	SPRING, RR. CUSHION (10.8).....	(1)	Black paint
•	52404-N1A-D00	SPRING, RR. CUSHION (11.0).....	(1)	Red paint
•	52405-N1A-D00	SPRING, RR. CUSHION (11.3).....	(1)	Green paint
• 3	52505-MFJ-R00	STAY, PRELOAD ADJ.....	1	
4	90157-ME9-000	BOLT, SOCKET 8 X 22.....	1	
5	96001-06022-00	BOLT, FLANGE, SH, 6 X 22.....	2	

Block No.

**F-9**

**Wire harness**

2007 CBR600RR



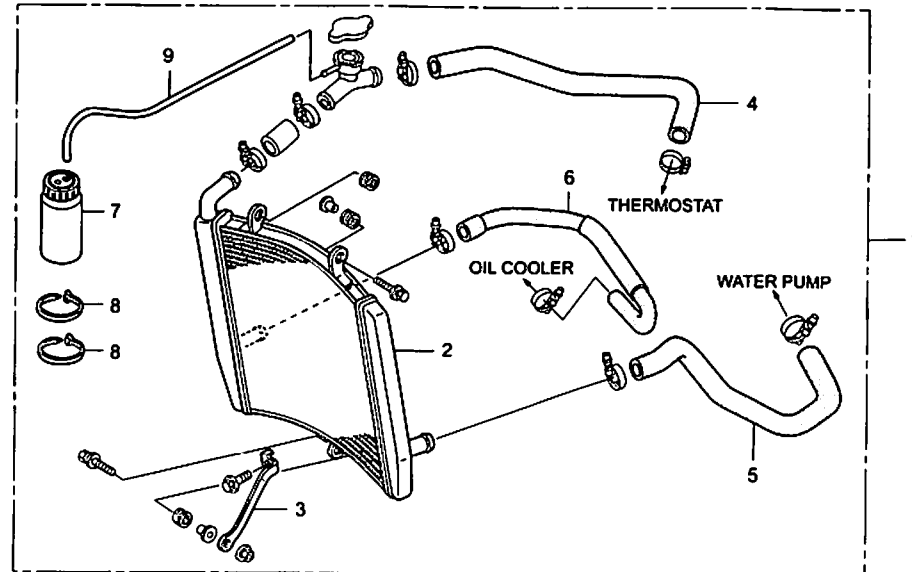
Ref. No.	Part No.	Description	Reqd. No.		Remarks
			SS	ST	
• 1	06304-N1A-D00	ELECTRIC SET (FIM) .....	1	-	
• 2	06304-N1A-J00	ELECTRIC SET (ST) .....	-	1	
• 3	32100-MFJ-R00	HARNES, WIRE .....	1	1	
• 4	32102-MFJ-R00	WIRE, HARN FR. SUB .....	1	1	
• 5	35160-MBW-Y02	SENSOR ASSY., BANK ANGLE .....	1	1	
• 6	35400-NL9 -000	RESISTER, COMP. ....	1	1	
• 7	37100-MFJ-R01	METER ASSY., COMBINATION .....	-	1	
• 8	38770-MFJ-R01	UNIT ASSY. PGM-FI /IGN .....	-	1	
•	38770-N1A-D00	UNIT ASSY. PGM-FI /IGN .....	1	-	
• 9	38771-N1A-D00	CD-ROM, PGM-FI/IGN .....	1	1	
• 10	38880-NL9 -C00	UNIT ASSY., SERIAL I/F USB TYPE .....	1	1	

Block No.

**F-10**

**Radiator set**

2007 CBR600RR



Ref. No.	Part No.	Description	Reqd. No.	Remarks
• 1	06190-N1A-D00	RADIATOR SET .....	1	
• 2	19010-N1A-D00	RADIATOR COMP. ....	1	
• 3	19105-N1A-D00	STAY, RADIATOR LOWER .....	1	
• 4	19503-N1A-D00	HOSE, RADIATOR R. ....	1	
• 5	19512-N1A-D00	HOSE, RADIATOR L. ....	1	
• 6	19513-N1A-D00	HOSE, OIL/C .....	1	
• 7	19602-NF4-810	TANK, CATCH 250 .....	1	
• 8	90651-NC8-000	TY-LAP, 3.6 X 281 .....	2	
9	95003-14081-10	VINYL-TUBE, 6 X 9 X 800 .....	1	

## 2007-CBR600RR PART NO. INDEX

Part No.	Block	Part No.	Block	Part No.	Block	Part No.	Block
00X30-N1A-J00	E- 1	14751-NL3-750	E- 1	18310-N1A-D00	F- 6	31110-N1A-D00	E- 2
		14752-NL3-750	E- 1	18334-NL3-750	F- 6	31120-NL3-750	E- 2
				18371-N1A-D00	F- 6	31910-NL3-871	E- 1
04193-N1A-D00	E- 5			18372-N1A-D00	F- 6		
06130-N1A-D00	E- 1	15514-N1A-D00	F- 4	18422-MFJ-D00	F- 6		
06170-N1A-D00	F- 4	15611-NF4-900	F- 4	18423-MFJ-D00	F- 6		
06180-N1A-D00	F- 6			18424-MFJ-D00	F- 6	32100-MFJ-R00	F- 9
06190-N1A-D00	F-10					32102-MFJ-R00	F- 9
06195-N1A-D00	F- 5						
06230-N1A-D00	E- 4	17210-N1A-D00	F- 4	19010-N1A-D00	F-10		
06304-N1A-D00	F- 9	17211-N1A-D00	F- 4	19105-N1A-D00	F-10	35160-MBW-Y02	F- 9
06304-N1A-J00	F- 9	17212-N1A-D00	F- 4	19503-N1A-D00	F-10	35400-NL9 -000	F- 9
06412-NL3-650	F- 7	17213-N1A-D00	F- 4	19505-KS6-700	E- 5		
06531-NL3-750	F- 1	17214-N1A-D00	F- 4		F- 4		
06552-N1A-D00	F- 4	17225-N1A-D00	F- 4		F- 5		
		17246-439-000	F- 6	19512-N1A-D00	F-10	37100-MFJ-R01	F- 9
		17316-611-000	F- 4	19512-NL3-620	E- 5		
		17554-N1A-D00	F- 4	19513-N1A-D00	F-10		
11321-N1A-D00	E- 2	17555-N1A-D00	F- 4	19602-NF4-810	F-10		
11333-MFJ-D00	E- 2	17556-N1A-D00	F- 4			38770-MFJ-R01	F- 9
		17910-N1A-D00	F- 1			38770-N1A-D00	F- 9
		17920-N1A-D00	F- 1			38771-N1A-D00	F- 9
				23211-N1A-D00	E- 4	38880-NL9 -C00	F- 9
12251-MFJ-D01	E- 1			23421-N1A-D00	E- 4		
12251-NL3-751	E- 1			23801-NL3-620	F- 7		
		18151-N1A-D00	F- 6	23802-NL3-620	F- 7		
		18152-N1A-D00	F- 6	23803-NL3-620	F- 7	40530-NL6-003	F- 7
		18157-N1A-D00	F- 6			40535-NL6-003	F- 7
14110-NL3-750	E- 1	18158-N1A-D00	F- 6			41201-NL3-651	F- 7
14210-N1A-D00	E- 1	18231-N1A-D00	F- 6				
14405-NL3-750	E- 1	18232-NL3-900	F- 6	31100-N1A-D00	E- 2		

## 2007-CBR600RR PART NO. INDEX

Part No.	Block	Part No.	Block	Part No.	Block	Part No.	Block
				53141-MT7-000	F- 1	91307-KF0-003	F- 4
41202-NL3-651	F- 7	51401-NL3-921	F- 3	53167-KV3-700	F- 1		
41203-NL3-651	F- 7	51402-NL3-921	F- 3	53168-KV3-701	F- 1		
41204-NL3-651	F- 7	51403-MEE-D01	F- 3	53215-GF8-000	F- 2		
41205-NL3-651	F- 7	51403-NL3-921	F- 3	53700-MFJ-R00	F- 2	93401-06028-00	F- 6
41206-NL3-651	F- 7	51404-MFJ-R01	F- 3			93404-06010-08	F- 7
41207-NL3-651	F- 7	51406-MFJ-R01	F- 3			93500-05020-0G	F- 1
		51410-MFJ-D01	F- 3				
		51412-MB4-003	F- 3	55200-N1A-D00	F- 4		
		51414-KCR-003	F- 3				
43105-NL9-C30	F- 1	51415-KCR-003	F- 3			94109-12000	E- 3
43105-NL9-C41	F- 1	51420-MFJ-R01	F- 3				
43106-NL9-C30	F- 1	51430-MFJ-R01	F- 3	90004-492-010	E- 4		
43106-NL9-C41	F- 1	51447-KA4-711	F- 3	90019-N1A-D00	E- 3		
		51450-MFJ-R01	F- 3	90081-NX4-000	E- 3	95003-14081-10	F-10
		51455-MW4-003	F- 3	90109-MR7-000	F- 3		
		51490-MEE-D01	F- 3	90120-MFJ-D00	F- 6		
45105-NL3 -921	F- 1	51500-MFJ-R01	F- 3	90123-MEN-670	F- 4		
45105-NL9 -801	F- 1	51520-MFJ-R01	F- 3	90126-MR7-003	F- 3	96001-06012-07	F- 1
45106-NL3 -921	F- 1			90157-ME9-000	F- 8	96001-06014-00	F- 6
45120-NL3-901	F- 1			90304-MFJ-R00	F- 2	96001-06016-00	E- 2
45125-N1A-D00	F- 1			90304-MM5-000	F- 6	96001-06018-07	F- 1
45159-N1A-D00	F- 1	52157-NL3-650	F- 7	90402-MFJ-D01	E- 3	96001-06022-00	F- 8
45220-NL3-901	F- 1	52400-MFJ-R01	F- 8	90454-ZV1-000	E- 5	96001-06028-00	E- 2
		52401-MFJ-R01	F- 8	90501-MFJ-D00	F- 6	96205-14012	F- 5
		52401-N1A-D00	F- 8	90505-116-670	F- 7	96205-15012	F- 5
		52402-N1A-D00	F- 8	90651-NC8-000	F-10		
		52403-N1A-D00	F- 8				
50252-GC4-830	E- 3	52404-N1A-D00	F- 8				
51400-MFJ-R01	F- 3	52405-N1A-D00	F- 8				
51401-MEE-R21	F- 3	52442-KA3-711	F- 3	91254-MEE-D01	F- 3		
		52505-MFJ-R00	F- 8	91258-GF4-003	F- 3		